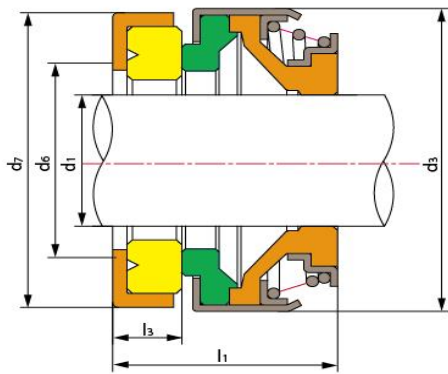


SELLO MECÁNICO PLANO (HA 301)



Model	Material	d 1 (mm)	d 3	d 6	d 7	l 1	l 3
HA-301-6	CAR/CER/NBR	6	18	8	22.0	14.0	4.0
HA-301-8 S	CAR/CER/NBR	8	18	10	22.0	15.0	4.0
HA-301-8 M	CAR/CER/NBR	8	20	10	22/26	15/16.5	4.0/5.5
HA 301-10	CAR/CER/NBR	10	24	12	26.0	21.0	8.0
HA 301-12	CAR/CER/NBR	12	24	14	25/26	21.0	8.0
HA 301-13	CAR/CER/NBR	13	24	15	26.0	18.5/21	5.5/8.0
HA-301-13L	CAR/CER/NBR	13	28	16	28.0	21.0	8.0
HA-301-13H	CAR/CER/NBR	13	32	16	29.5	30.5	8.0
HA 301-14	CAR/CER/NBR	14	28	16	28/28.5	21.0	8.0
HA 301-14L	CAR/CER/NBR	14	32	16	29.5	21.0	8.0
HA 301-15S	CAR/CER/NBR	15	28	16	28.5/30	21.0	8.0
HA 301-15M	CAR/CER/NBR	15	32	16	30/29.5	21.0	8.0
HA 301-15L	CAR/CER/NBR	15	39	18	38.0	21.0	8.0
HA 301-16S	CAR/CER/NBR	16	28	16	29.5/30	21.0	8.0
HA 301-16M	CAR/CER/NBR	16	32	18	29.5	21.0	8.0
HA 301-16L	CAR/CER/NBR	16	39	18	38.0	21.0	8.0
HA 301-16H	CAR/CER/NBR	16	32	16	30.0	29.0	10.0
HA 301-17	CAR/CER/NBR	17	39	19	42.0	21.0	8.0
HA 301-18	CAR/CER/NBR	18	39	20	42.0	21.0	8.0
HA 301-19	CAR/CER/NBR	19	39	21	42.0	21.0	8.0
HA 301-20	CAR/CER/NBR	20	39	22	42.0	21.0	8.0
HA 301-20L	CAR/CER/NBR	20	42	24	45.0	23.0	10.0
HA 301-22S	CAR/CER/NBR	22	36	24	45.0	26.5	10.0
HA 301-22L	CAR/CER/NBR	22	42	24	45.0	23.0	10.0
HA 301-23	CAR/CER/NBR	23	47	25	50.0	23.5	10.0
HA 301-24	CAR/CER/NBR	24	47	26	50.0	23.5	10.0
HA 301-25	CAR/CER/NBR	25	42	27	50.0	23.5	10.0
HA 301-25L	CAR/CER/NBR	25	47	27	50.0	23.5	10.0
HA 301-26	CAR/CER/NBR	26	47	29	50.0	23.5	10.0
HA 301-27	CAR/CER/NBR	27	47	30	50.0	23.5	10.0
HA 301-28	CAR/CER/NBR	28	54	31	57.0	25.0	10.0
HA 301-30	CAR/CER/NBR	30	54	33	57.0	25.0	10.0
HA 301-32	CAR/CER/NBR	32	54	35	57.0	25.0	10.0
HA 301-35	CAR/CER/NBR	35	60	38	63.0	26.0	10.0
HA 301-38	CAR/CER/NBR	38	65	41	68.0	30.0	12.0
HA 301-40	CAR/CER/NBR	40	65	43	68.0	30.0	12.0
HA 301-40	SIC/SIC/VITON	40	65	43	68.0	30.0	12.0
HA 301-45	CAR/CER/NBR	45	70	48	73.0	32.0	12.0
HA 301-50	CAR/CER/NBR	50	85	52	88.0	38.0	15.0
HA 301-55	CAR/CER/NBR	55	85	58	88.0	38.0	15.0
HA 301-60	CAR/CER/NBR	60	105	63	110.0	45.0	15.0