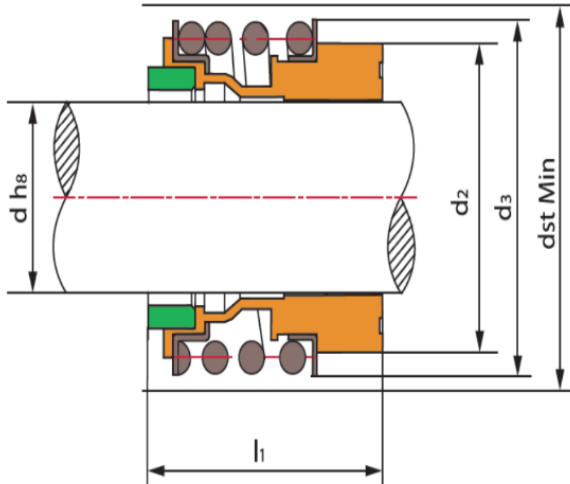


## SELLO MECÁNICO HA MG12



MODEL	d	d2	d3	dst	l1	MATERIAL
HA-MG12-14	14	26.5	28.5	30	28.4	SIC/SIC/VITON
HA-MG12-16	16	26.5	28.5	30	28.4	SIC/SIC/VITON
HA-MG12-18	18	29.0	32.0	33	30.0	CAR/SIC/NBR; SIC/SIC/VITON
HA-MG12-20	20	33.0	37.0	38	30.0	CAR/SIC/NBR; SIC/SIC/VITON
HA-MG12-22	22	33.0	37.0	38	30.0	CAR/SIC/NBR; SIC/SIC/VITON
HA-MG12-24	24	38.0	42.5	44	32.5	CAR/SIC/NBR; SIC/SIC/VITON
HA-MG12-25	25	38.0	42.5	44	32.5	CAR/SIC/NBR; SIC/SIC/VITON
HA-MG12-28	28	44.0	49.0	50	35.0	CAR/SIC/NBR; SIC/SIC/VITON
HA-MG12-30	30	44.0	49.0	50	35.0	CAR/SIC/NBR; SIC/SIC/VITON
HA-MG12-32	32	46.0	53.5	55	35.0	SIC/SIC/VITON
HA-MG12-35	35	50.0	57.0	59	35.0	CAR/SIC/NBR; SIC/SIC/VITON
HA-MG12-38	38	53.0	59.0	61	36.0	CAR/SIC/NBR; SIC/SIC/VITON
HA-MG12-40	40	55.0	62.0	64	36.0	CAR/SIC/NBR; SIC/SIC/VITON
HA-MG12-45	45	60.0	68.0	70	36.0	CAR/SIC/NBR; SIC/SIC/VITON