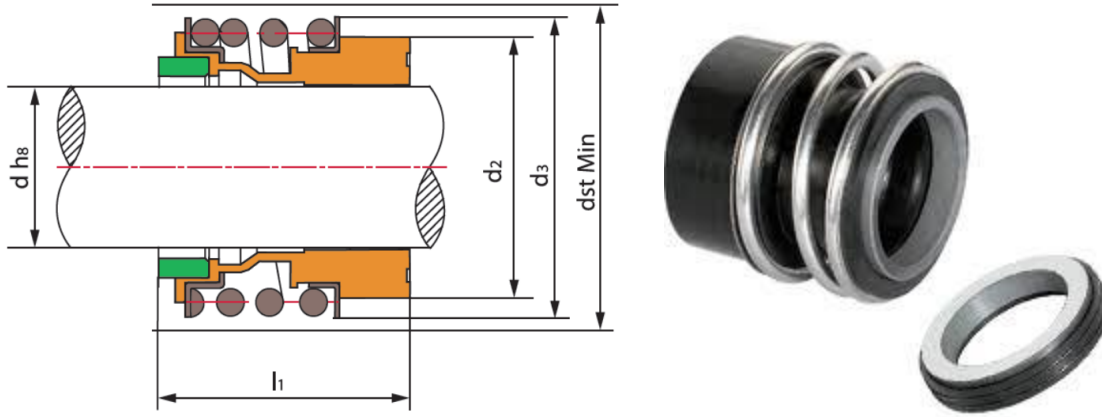


SELLO MECÁNICO HA- MG13



MODEL (mm)	d3	d6	d7 (dh8)	I1	I28	MATERIAL
HA-MG13-16	28.5	23.0	27.0	33.4	6.6	SIC/SIC/VITON
HA-MG13-18	32.0	27.0	33.0	37.5	7.5	SIC/SIC/VITON
HA-MG13-20	37.0	29	35	45	7.5	SIC/SIC/VITON
HA-MG13-22	37.0	31	37	45	7.5	SIC/SIC/VITON
HA-MG13-24	42.5	33	39	50	7.5	SIC/SIC/VITON
HA-MG13-25	42.5	34	40	50	7.5	SIC/SIC/VITON
HA-MG13-28	49.0	37	43	50	7.5	SIC/SIC/VITON
HA-MG13-30	49.0	39	45	50	7.5	SIC/SIC/VITON
HA-MG13-32	53.5	42	48	55	7.5	SIC/SIC/VITON
HA-MG13-35	57.0	44	50	55	7.5	SIC/SIC/VITON
HA-MG13-38	59.0	49	56	55	9.0	SIC/SIC/VITON
HA-MG13-40	62.0	51	58	55	9.0	SIC/SIC/VITON
HA-MG13-42	65.5	54	61	60	9.0	SIC/SIC/VITON
HA-MG13-45	68.0	56	63	60	9.0	SIC/SIC/VITON