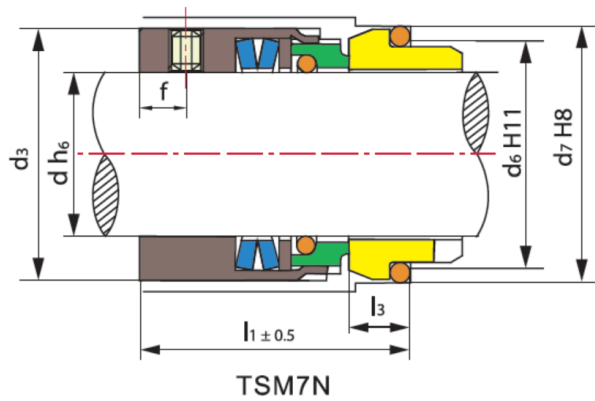


SELLO MECÁNICO HA-M74



MODEL (mm)	d3	d6	d7	l1	l3	MATERIAL
HA-M74-30	45	39	45	42.5	11.5	SIC/SIC/VITON
HA-M74-33	48	42	48	42.5	11.5	SIC/SIC/VITON
HA-M74-43	60	54	61	45.0	14.0	SIC/SIC/VITON
HA-M74-50	67	62	70	47.5	15.0	SIC/SIC/VITON
HA-M74-60	81	72	80	52.5	15.0	SIC/SIC/VITON
HA-M74-63	84	75	83	52.5	15.0	SIC/SIC/VITON